

# New Products in TO247 package

**Xinnuo Elec**

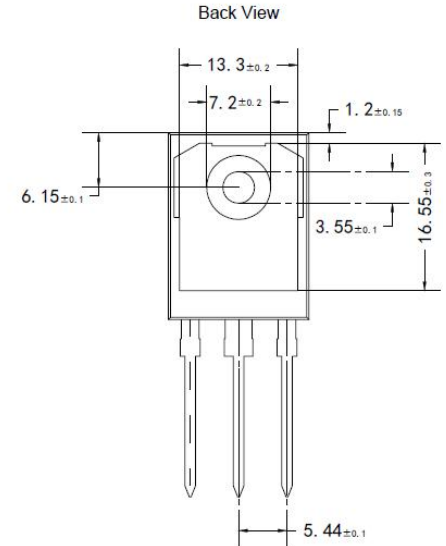
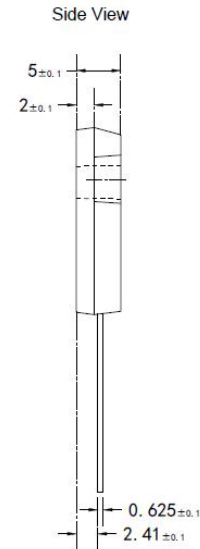
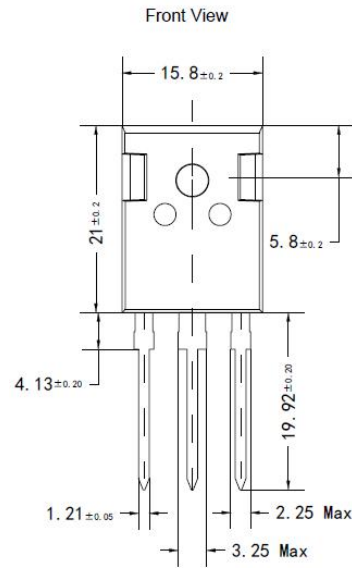


Edited by: Power diodes division

Date: May 2022

# Package - TO247-3L

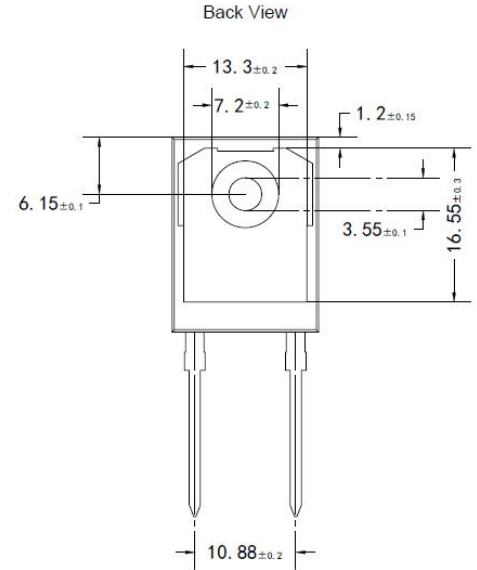
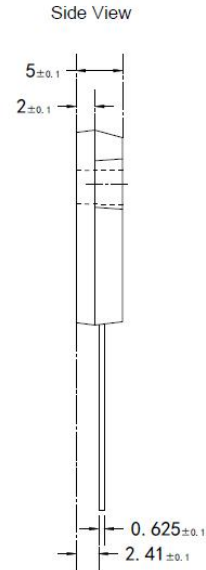
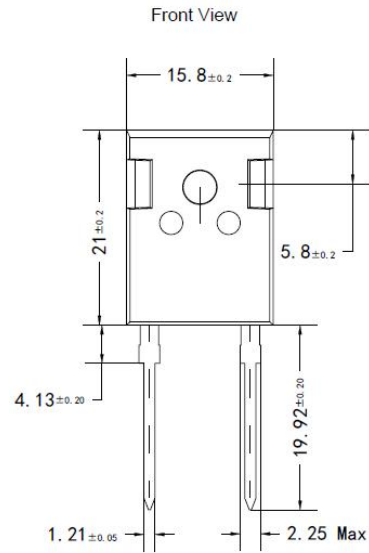
## TO247-3L Package Outline Drawing



# Package - TO247-2L



## TO247-2L Package Outline Drawing



## Product Series

### Schottky Barrier

TYPE	V <sub>RRM</sub> (V)	I <sub>F</sub> (A)	I <sub>F</sub> (A)	V <sub>F</sub> (V)	I <sub>R</sub> (μA)	T <sub>J</sub> (°C)
MBRJ3045CT	45	30	15	0.6	150	150
MBRJ3060CT	60	30	15	0.7	150	150
MBRJ30200CT	200	30	15	0.9	100	175
MBRJ6045CT	45	60	30	0.7	150	150
MBRJ6060CT	60	60	30	0.7	150	150
MBRJ60200CT	200	60	30	1.0	100	175
MBRJ80150CT	150	80	40	1.0	100	175

## Ordering Information

MBR J 60 60 CT

Schottky  
barrier: MBR  
Fast recovery:  
MUR

Package:  
J for TO-  
247

I<sub>F</sub>:  
60=60A

Voltage:  
60=600V

CT: TO247-3L  
blank: TO247-2L

### Fast Recovery

TYPE	V <sub>RRM</sub> (V)	I <sub>F</sub> (A)	I <sub>F</sub> (A)	V <sub>r</sub> (V)	I <sub>R</sub> (μA)	T <sub>rr</sub> (ns)	T <sub>J</sub> (°C)
MURJ3060CT	600	30	15	1.7	10	<50	175
MURJ6060CT	600	30	30	1.7	10	<50	175
MUR60120CT	1200	60	30	2.4	50	<75	175
MURJ3060	600	30	30	1.7	10	<50	175
MURJ30120	1200	30	30	2.4	50	<75	175
MURJ6060	600	60	60	1.8	10	<70	175

## Application

Typically for high current and high voltage application:

1. High power welders
2. AC/DC charging station for E-buses
3. EV charging station
4. High power switching supply ( servers, industrial power supply )



## Applied Circuit

